

# Drum Crusher

Drum crushers (also known as drum presses, barrel flatteners, drum crushing balers) are baling machines that use hydraulic pressure to flatten almost any kind of metal containers / drums / barrels, up to a full 220Litre (58 gallon) size. This is an important step in the recycling process, as drums take up quite a bit of space, and are unwieldy and inefficient to transport once emptied. Once the drums have been crushed, the scrap metal is then typically recycled.

Whether you have just a few barrels a week or a larger need (like hundred barrels a day), one of our drum crusher can suit your needs. The drum crusher we offer can compact up to 60-70 pieces of drums per hour. Like most of our vertical balers, it can be operated safely by one person, which makes for greater efficiency. If you have steel or aluminum drums to dispose of / transport, these drum crushers can efficiently reduce the volume of waste to better facilitate transportation and recycling.

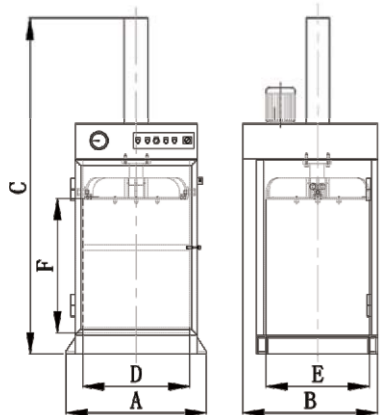
Baling Applications: oil drums, paint barrels, and any other types of steel/aluminum drums/barrels

## FEATURES

- Liquid Drainage Channel for efficiently draining residual liquid in the drums/barrels out of the baler to keep the recycling area neater and safer
- Metal Blocker for well positioning the drums/barrels in the middle of the chamber
- Spikes on the Platen for puncturing the drums/barrels to release air pressure during compression, which is for better efficiency and greater operator safety
- Electric Controlled for easy operation, simply by operating on buttons and switches to fulfill platen moving
- Long Stroke enables the drums/barrels to be flattened in a high compaction ratio, further reducing your waste footprint



## Dimensional Data



MODEL	SVB2-MD-300	SVB2-MD-400
A	1000mm / 39"	1000mm / 39"
B	960mm / 38"	960mm / 38"
C	2380mm / 94"	2380mm / 94"
D	760mm / 30"	760mm / 30"
E	760mm / 30"	760mm / 30"
F	1000mm / 39"	1000mm / 39"

## Specifications

MODEL	SVB2-MD-300	SVB2-MD-400
Compressing Force (max.)	30ton (66,000lbs)	40ton (88,000lbs)
Feed Opening	Length	760mm (30")
	Height	1000mm (39")
Compressing Chamber Size	Length	760mm (30")
	Width	760mm (30")
	Height	1000mm (39")
Bale (Flattened drum) Size	Length	760mm (30")
	Width	760mm (30")
	Height	100-130mm (4-5")
Hydraulic Pressure (max.)	16Mpa (2320psi)	16Mpa (2320psi)
Main Cylinder	Bore	130mm (5.1")
	Piston	90mm (3.5")
	Stroke	950mm (37")
Oil Reservoir	90L (23.8gal)	100L (26.4gal)
Motor Power	5.5kw (7HP)	7.5kw (10HP)
Cycle Time (unloaded)	39seconds	36seconds
Machine Weight (approx.)	800kg (1,760lbs)	900kg (1,980lbs)

Overall specifications are subject to change without notice. SBM sales representative for your inquiry will give you the exact specifications for your quoted machine.

\*Bale size hereby referred to does not consider bale expanding

\*\* Throughput rates are subject to your material's input density, feed speed, and other variables of production outside the control of Sinobaler.

