

# Mill Size Baler

The mill size baler is one of Sinobaler's most popular vertical down stroke balers, producing bales of many kinds of material. Suitable bale size and weight save you money, time, space, and maximize the use of transport as the waste volume can be reduced up to 92%. Mill sized bale weight ranges from 300kg to 500kg and the optimal bale size for a 40' HQ container is 1200 x 800 x 1000mm.

Sinobaler is always looking into innovation. This mill size baler has several unique operating features, making the most efficient and versatile baler in the market place today. Furthermore, the robust design and market-leading build quality ensure many years of reliable operation.

Baling Application: cartons, film, corrugated cardboard (OCC), ONP, OMG, office wasters and other packaging material.

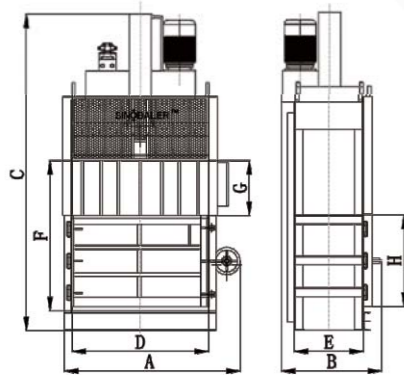
Choose from our various models below, or contact us for a customized baling solution.

## FEATURES

- Chain Bale Ejector for easy and efficient bale ejecting with the lifting up of the chain
- Sliding Door for convenient opening/closing and also reducing space occupation. When platen goes up, the door will be lifted up automatically, which promotes work efficiency and saves labor
- Adjustable Bale Height for achieving various bale size and weight
- Electric Controlled for easy operation, simply by operating on buttons and switches to fulfill platen moving and bale ejecting
- Hydraulic Driven Chamber Door is Optional enables door opening/closing only with an operation on a rotary switch, which promotes work efficiency and saves labor



## Dimensional Data



MODEL	SVBS2-300				SVBS2-500	
A	1200mm / 47"	1650mm / 65"	1950mm / 77"	1950mm / 77"	1700mm / 67"	1980mm / 78"
B	800mm / 31"	1170mm / 46"	1244mm / 49"	1244mm / 49"	1200mm / 47"	1150mm / 45"
C	3350mm / 132"	3620mm / 143"	3650mm / 144"	3650mm / 144"	3620mm / 143"	3650mm / 144"
D	800mm / 31"	1200mm / 47"	1520mm / 60"	1520mm / 60"	1200mm / 47"	1520mm / 60"
E	600mm / 24"	800mm / 31"	760mm / 30"	760mm / 30"	800mm / 31"	760mm / 30"
F	1400mm / 55"	1800mm / 71"	2000mm / 79"	2000mm / 79"	1800mm / 71"	2000mm / 79"
G	500mm / 20"	650mm / 26"	680mm / 27"	680mm / 27"	650mm / 26"	680mm / 27"
H	900mm / 35"	1150mm / 45"	1320mm / 52"	1320mm / 52"	1150mm / 45"	1320mm / 52"

## Specifications

MODEL	SVBS2-300				SVBS2-500	
Compressing Force (max.)	30ton (66,000lbs)			HD (High Density): plunger pump bigger ram	50ton (110,000lbs)	
Feed Opening Length	800mm (31")	1200mm (47")	1520mm (60")	1520mm (60")	1200mm (47")	1520mm (60")
Feed Opening Height	500mm (20")	650mm (26")	680mm (27")	680mm (27")	650mm (26")	680mm (27")
Compressing Chamber Size Length	800mm (31")	1200mm (47")	1520mm (60")	1520mm (60")	1200mm (47")	1520mm (60")
Compressing Chamber Size Width	600mm (24")	800mm (31")	760mm (30")	760mm (30")	800mm (31")	760mm (30")
Compressing Chamber Size Height	1400mm (55")	1800mm (71")	2000mm (79")	2000mm (79")	1800mm (71")	2000mm (79")
Bale Size Length	800mm (31")	1200mm (47")	1520mm (60")	1520mm (60")	1200mm (47")	1520mm (60")
Bale Size Width	600mm (24")	800mm (31")	760mm (30")	760mm (30")	800mm (31")	760mm (30")
Bale Size Height	800mm (31")	1060mm (42")	1220mm (48")	1220mm (48")	1060mm (42")	1220mm (48")
Bale Weight (for OCC)	Up to 160kgs Up to 352lbs	Up to 320kgs Up to 705lbs	Up to 420kgs Up to 925lbs	Up to 480kgs Up to 1,057lbs	Up to 400kgs Up to 880lbs	Up to 520kgs Up to 1,145lbs
Hydraulic Pressure (max.)	16Mpa (2320psi)	16Mpa (2320psi)	16Mpa (2320psi)	20Mpa (2900psi)	20Mpa (2900psi)	20Mpa (2900psi)
Main Cylinder Bore	140mm (5.5")	140mm (5.5")	150mm (5.9")	150mm (5.9")	160mm (6.3")	180mm (7")
Main Cylinder Piston	100mm (3.9")	100mm (3.9")	110mm (4.3")	110mm (4.3")	120mm (4.7")	125mm (4.9")
Main Cylinder Stroke	900mm (35")	1200mm (47")	1200mm (47")	1200mm (47")	1000mm (39")	1250mm (49")
Oil Reservoir	100L (26.4gal)	100L (26.4gal)	100L (26.4gal)	100L (26.4gal)	140L (36.9gal)	140L (36.9gal)
Motor Power	5.5kw (7.5HP)	5.5kw (7.5HP)	7.5kw (10HP)	7.5kw (10HP)	7.5kw (10HP)	11kw (15HP)
Number of Tying	4-6	4-7	5-7	5-7	4-6	5-7
Cycle Time (unloaded)	35seconds	46seconds	45seconds	47seconds	45seconds	49seconds
Machine Weight (approx.)	1200kg (2,640lbs)	1800kg (3,960lbs)	2300kg (5,050lbs)	2300kg (5,050lbs)	1900kg (4,180lbs)	2500kg (5,500lbs)

Overall specifications are subject to change without notice. SBM sales representative for your inquiry will give you the exact specifications for your quoted machine.

\*Bale size hereby referred to does not consider bale expanding

\*\* Throughput rates are subject to your material's input density, feed speed, and other variables of production outside the control of Sinobaler.

