

Scale Weighing Horizontal Bagging Baler

Sinobaler scale weighing horizontal bagging baler is specialized in making bagging bales for loose materials in small pieces, and the built-in scale is for your convenience to control bale weight as per your desire. When you have waste like wood shavings, hay, straws, rags, and similar, disposing of / recycling these materials is difficult. A horizontal bagging baler makes sense, because it can automatically compress, eject and bag these materials for easy storage / transport / recycling. Some facilities even resell the bagged waste material to generate considerable value.

This machine features a stored-program controller industrial board, which helps keep operations running smoothly, and ensures uniform bales. It's also very easy to use, with a simple one-button operation. With minimal labor, it can produce and pack bales in plastic bags in a matter of minutes. This horizontal bagging baler is ideal for pet food factories, animal bedding material factories, textile recycling facilities, rag bale exporters, plant fertilizer factories, farms, and any other facility that produces a large amount of loose waste material in small pieces.

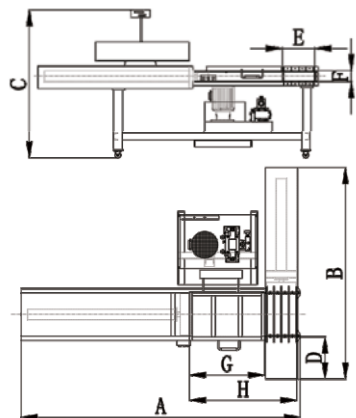
Baling Application: wood shavings, straw, hay, rags, mineral cotton fibers and other similar small loose material.

FEATURES

- PLC Control System automates the operation and promotes accuracy
- One Button Operation enables compressing, bale ejecting and bagging a continuous, efficient process, saving your time and reducing your cost
- Electric Controlled for easy operation, simply by operating on buttons and switches to fulfill platen moving and bale ejecting
- One-shot Feeding to make Each Bale for promoting operation efficiency
- Electrical Weighing Scale for obtaining your desired bale weight by weighing the material before feeding



Dimensional Data



MODEL	SHB1-WS-50	SHB1-WS-100	SHB1-WS-150	SHB1-WS-250
A	2600mm / 102"	2660mm / 105"	2750mm / 108"	3000mm / 118"
B	2150mm / 85"	2160mm / 85"	2350mm / 93"	2650mm / 104"
C	1500mm / 59"	1550mm / 61"	1550mm / 61"	1550mm / 61"
D	400mm / 16"	400mm / 16"	550mm / 22"	600mm / 24"
E	300mm / 12"	400mm / 16"	400mm / 16"	450mm / 18"
F	100mm / 4"	180mm / 7"	250mm / 10"	250mm / 10"
G	650mm / 26"	700mm / 28"	800mm / 31"	850mm / 33"
H	1100mm / 43"	1200mm / 47"	1300mm / 51"	1400mm / 55"

Specifications

MODEL	SHB1-WS-50	SHB1-WS-100	SHB1-WS-150	SHB1-WS-250	
Compressing Force (max.)	5ton (11,000lbs)	10ton (22,000lbs)	15ton (33,000lbs)	25ton (55,000lbs)	
Feed Opening	Length	650mm (26")	700mm (28")	800mm (31")	850mm (33")
	Width	400mm (16")	400mm (16")	550mm (22")	600mm (24")
Compressing Chamber Size	Length	1100mm (43")	1200mm (47")	1300mm (51")	1400mm (55")
	Width	400mm (16")	400mm (16")	550mm (22")	600mm (24")
	Height	100mm (4")	180mm (7")	250mm (10")	250mm (10")
Bale Size	Length	400mm (16")	400mm (16")	550mm (22")	600mm (24")
	Width	300mm (12")	400mm (16")	400mm (16")	450mm (18")
	Height	100mm (4")	180mm (7")	250mm (10")	250mm (10")
Bale Weight (for rag)		3-7kg 7-15lbs	5-10kg 11-22lbs	10-20kg 22-44lbs	15-25kg 33-55lbs
	Hydraulic Pressure (max.)	16Mpa (2320psi)	16Mpa (2320psi)	16Mpa (2320psi)	16Mpa (2320psi)
Main Cylinder	Bore	100mm (3.9")	110mm (4.3")	110mm (4.3")	110mm (4.3")
	Piston	70mm (2.8")	80mm (3.1")	80mm (3.1")	80mm (3.1")
	Stroke	800mm (31")	900mm (35")	1000mm (39")	1100mm (43")
Ejecting Cylinder	Bore	100mm (3.9")	110mm (4.3")	110mm (4.3")	110mm (4.3")
	Piston	70mm (2.8")	80mm (3.1")	80mm (3.1")	80mm (3.1")
	Stroke	500mm (20")	500mm (20")	700mm (28")	800mm (31")
Oil Reservoir	120L (31.7gal)	120L (31.7gal)	120L (31.7gal)	120L (31.7gal)	
Motor Power	5.5kw (7HP)	5.5kw (7HP)	7.5kw (10HP)	11kw (15HP)	
Output (for rag)	0.3-0.4Ton/h	0.45-0.6Ton/h	0.8-1Ton/h	1.2-1.5Ton/h	
Cycle Time (unloaded)	34seconds	41seconds	33seconds	34seconds	
Machine Weight (approx.)	770kg (1,694lbs)	820kg (1,804lbs)	870kg (1,914lbs)	950kg (2,090lbs)	

Overall specifications are subject to change without notice. SBM sales representative for your inquiry will give you the exact specifications for your quoted machine.

*Bale size hereby referred to does not consider bale expanding

** Throughput rates are subject to your material's input density, feed speed, and other variables of production outside the control of Sinobaler.

